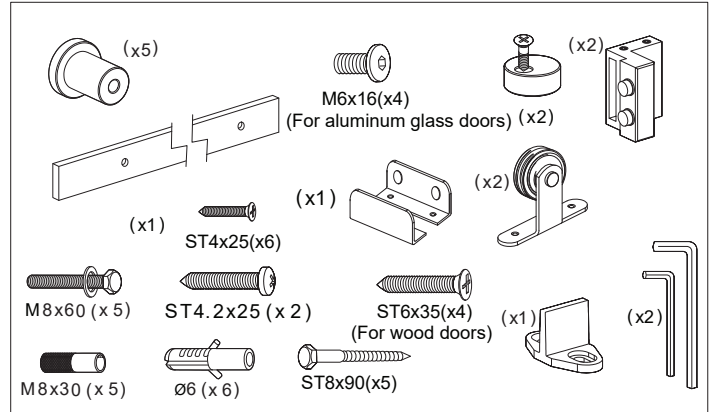
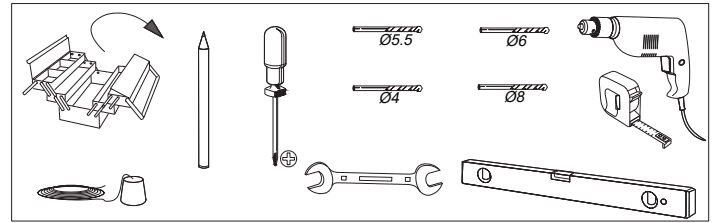
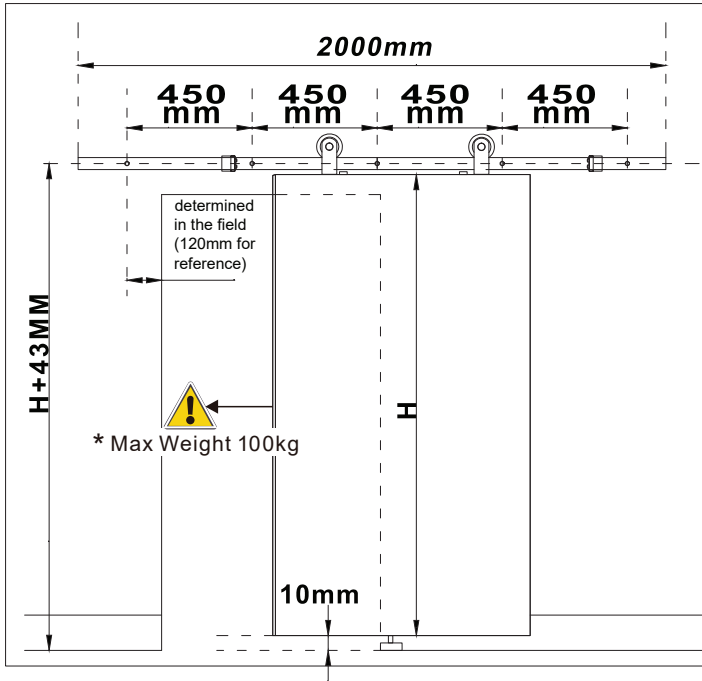


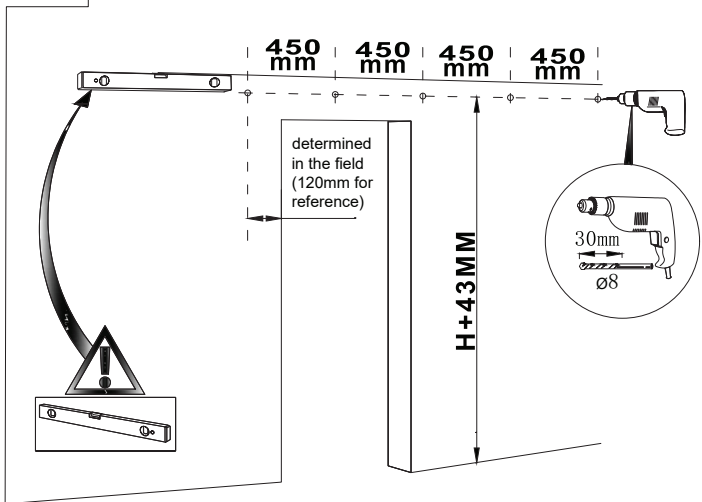
- SE Monteringsanvisning
- NO Installasjonsinstruksjoner
- DK Monteringsvejledning
- FI Asennusohje

- Skjutdörrsbeslag Retro
- Skyvedørsbeslag Retro
- Skydedørsbeslag Retro
- Liukuovenkisko Retro

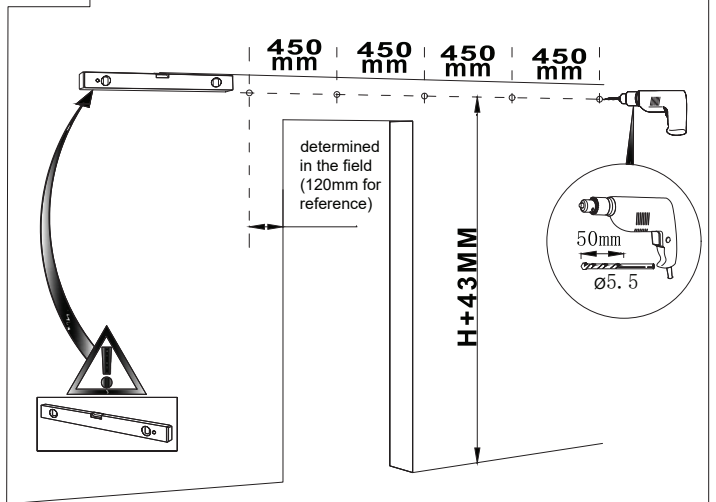
habo®



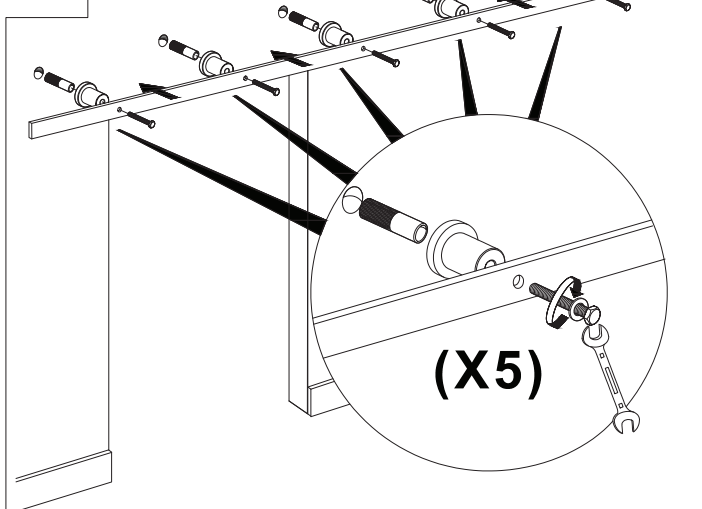
1A For masonry installation



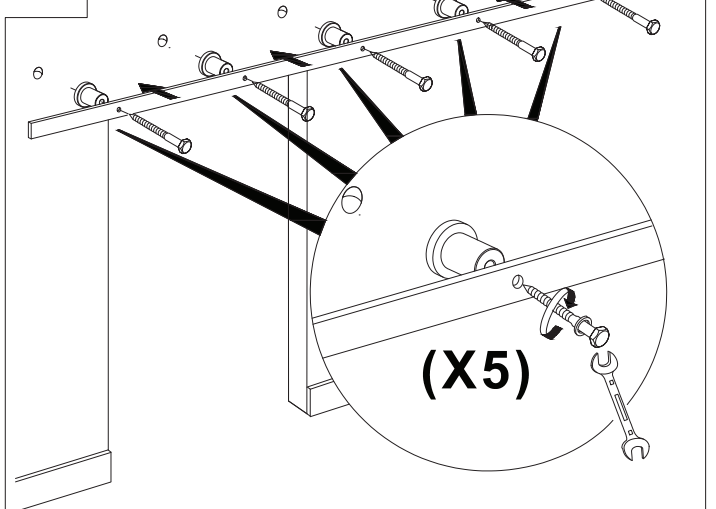
1B For drywall installation with support structure



2A For masonry installation



2B For drywall installation with support structure

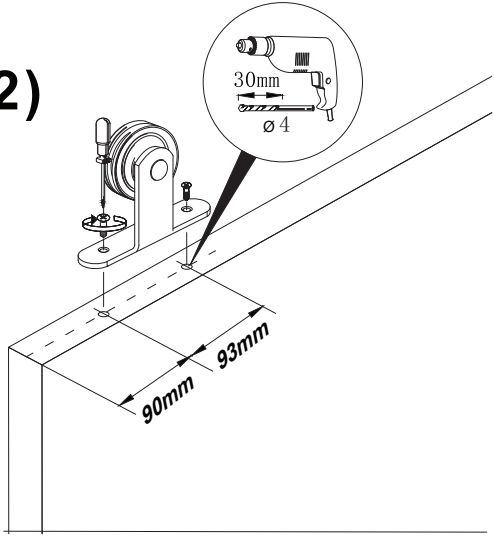


*The specified maximum weight is a calculated value and is not guaranteed, depending on wall material.

3

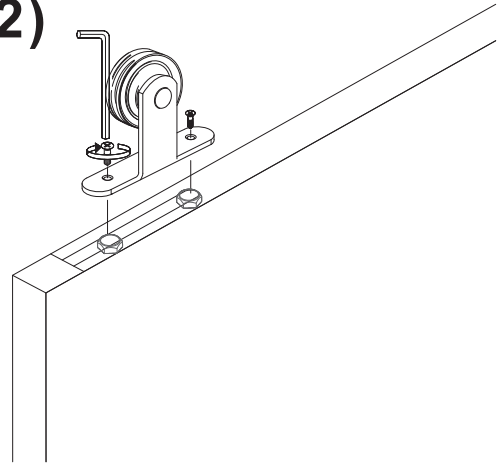
For wood doors

(X2)



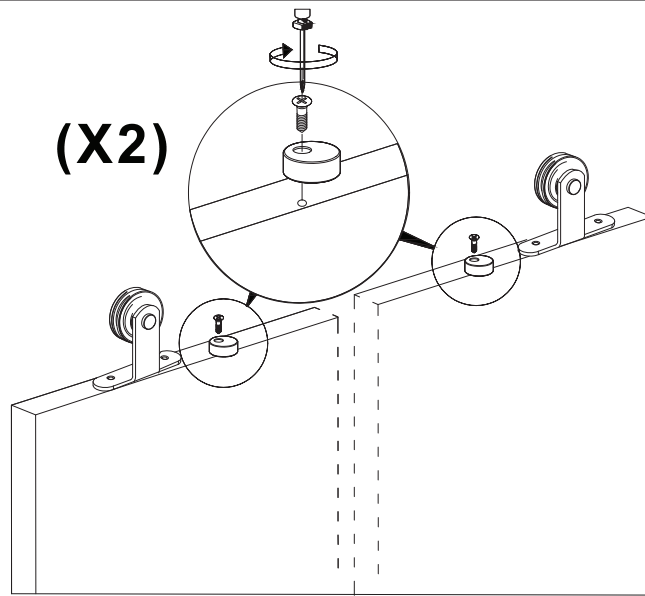
For aluminum glass doors

(X2)



4

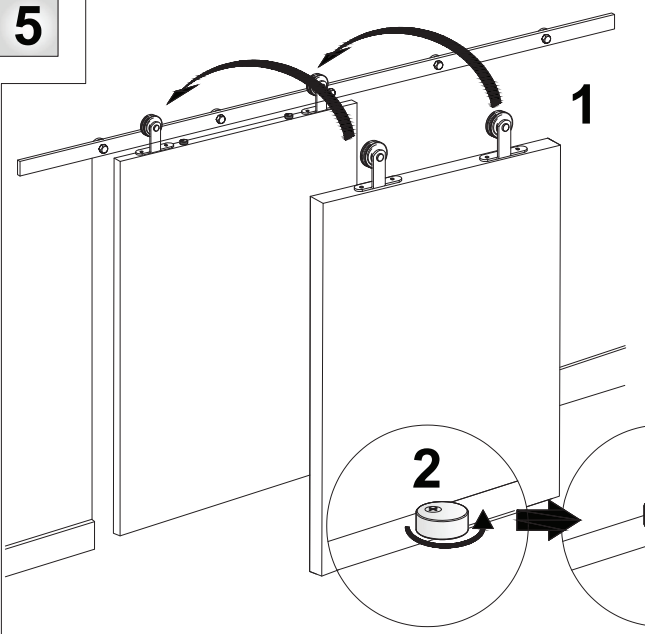
(X2)



5

1

2

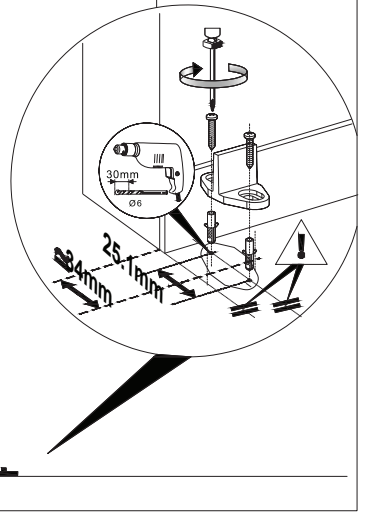


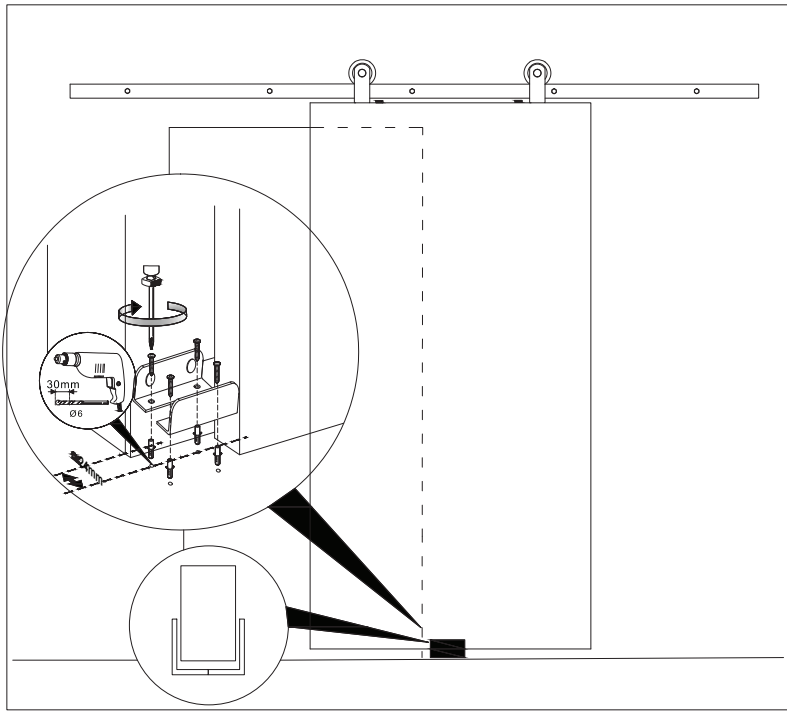
6

groove

7mm

20mm





7

